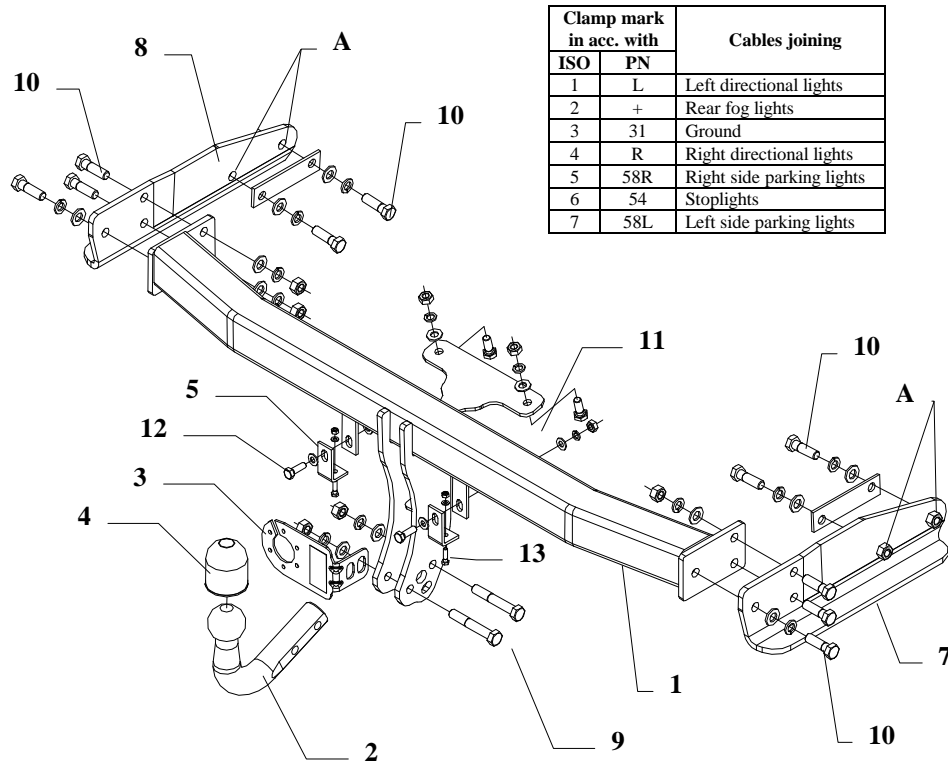


FITTING INSTRUCTION



Clamp mark in acc. with		Cables joining
ISO	PN	
1	L	Left directional lights
2	+	Rear fog lights
3	31	Ground
4	R	Right directional lights
5	58R	Right side parking lights
6	54	Stoplights
7	58L	Left side parking lights

This towbar is designed to assembly in following cars:
FORD MAVERICK II 3/5 doors, produced since 02.2004 and **MAZDA TRIBUTE 5 doors**, produced since 03.2004, catalogue no. **C45** and is prepared to tow trailers max total weight **2000 kg** and max vertical load **75 kg**.

From manufacturer

Thank you for buying our product. Their reliability has been confirmed in many tests. Reliability of towbar depends also on correct assembly and right exploit. For this reasons we kindly ask to read carefully this instruction and apply to hints.

The towbar should be install in points described by a car producer.

The instruction of the assembly

1. Disassemble rear bumper together with metal reinforcement and plastic filler. Reinforcement will be not used any more. Twist nuts after reinforcement to original bolts.
2. On the left side of the car, get off the electric box. Unscrew two bolts in side element of chassis and get it off. Bolts twist again in original points.
3. In chassis members are small elements which can make some problems when You try to put side brackets (pos. 7 and 8). Bend him.
4. Slip side brackets (pos. 7 and 8) and fix it to chassis members through original holes pos. A and fish-plates pos. 6 using bolts M12x40mm (pos. 10) – loosely.
5. Between mounted brackets put body of the towbar (pos. 1) and fix it by bolts M12x40mm (pos. 10). Tighten all bolts.
6. To towbar, from upper side fix plastic filler and on the left side fix electric box.
7. In central part of towbar fix bumper handles (pos. 5) using bolts M8x25mm (pos. 12) and below the car through holes B using bolts M10x25mm (pos. 11).
8. Assemble the rear bumper after cut out fragment according to figure 2 or 3. Next fix bumper to the towbar using two bolts M5x20mm (pos. 13).
9. Tighten all bolts according to the torque shown in the table.
10. Fix tow-ball (pos. 2) and socket plate (pos. 3) by bolts M12x75mm (pos. 9) from equipment.
11. Connect electric wires of 7-poles socket according to the instruction of the car. (Recommend to make at authorized service station)
12. Complete paint layer damaged during installation.

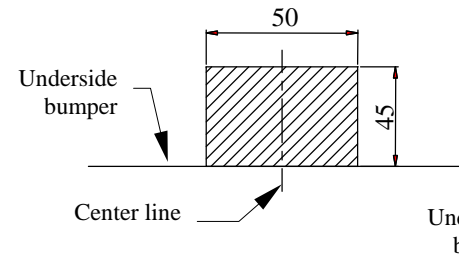


Fig. 2 Bumper cut out
Ford Maverick

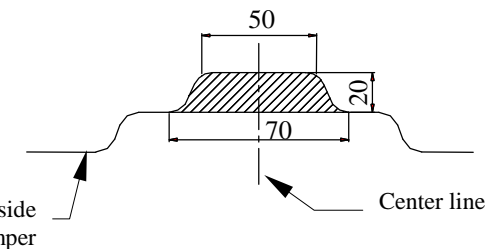


Fig. 3 Bumper cut out
Mazda Tribute

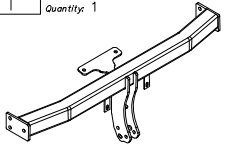
NOTE

After install the towbar you should get adequate note in registration book (at authorised service station).The car should be equipped with:

- Indicators
- Tow mirrors

After 1000km of exploitation check all bolts and nuts. The ball of towbar must be always kept clear and conserve with a grease.

Towbar equipment:

Pos. 1 Name: Body Quantity: 1	Pos. 7 Name: Right bracket Quantity: 1	Pos. 14 Name: Nut 8 B Quantity: 6 Dim.: M12	Pos. 21 Name: Plain washer Quantity: 2 Dim.: \varnothing 5,3 mm
	Pos. 8 Name: Left bracket Quantity: 1	Pos. 15 Name: Nut 8 B Quantity: 2 Dim.: M10	Pos. 22 Name: Spring washer Quantity: 2 Dim.: \varnothing 12,2 mm
Pos. 2 Name: Tow-ball Quantity: 1	Pos. 9 Name: Bolt 8,8 B Quantity: 2 Dim.: M12x75mm	Pos. 16 Name: Nut 8 B Quantity: 2 Dim.: M8	Pos. 23 Name: Spring washer Quantity: 2 Dim.: \varnothing 10,2 mm
Pos. 3 Name: Socket plate Quantity: 1	Pos. 10 Name: Bolt 8,8 B Quantity: 10 Dim.: M12x40mm	Pos. 17 Name: Nut 8 B Quantity: 2 Dim.: M5	Pos. 24 Name: Spring washer Quantity: 2 Dim.: \varnothing 8,2 mm
Pos. 4 Name: Ball cover Quantity: 1	Pos. 11 Name: Bolt 8,8 B Quantity: 2 Dim.: M10x25mm	Pos. 18 Name: Plain washer Quantity: 12 Dim.: \varnothing 13 mm	
Pos. 5 Name: Handle Quantity: 2	Pos. 12 Name: Bolt 8,8 B Quantity: 2 Dim.: M8x25mm	Pos. 19 Name: Plain washer Quantity: 2 Dim.: \varnothing 10,5 mm	
Pos. 6 Name: Fish-plate Quantity: 2	Pos. 13 Name: Bolt 8,8 B Quantity: 2 Dim.: M5x20mm	Pos. 20 Name: Plain washer Quantity: 4 Dim.: \varnothing 8,5 mm	



PPUH AUTO-HAK S.J.

Produkcja Zaczepów Kulowych
Henryk & Zbigniew Nejman
76-200 SŁUPSK ul. Słoneczna 16K
tel/fax (059) 8-414-414; 8-414-413
E-mail: office@autohak.com.pl
www. autohak.com.pl

Towing hitch (without electrical set)

Class: **A50-X** Cat. no. **C45**

Designed for:

FORD MAVERICK II 3/5 doors

produced since 02.2004 and

MAZDA TRIBUTE 5 doors

produced since 03.2004

Approval number acc. to regulations EKG/ONZ 55.01: **E20-55R-01 1501**

Technical data:

D-value: 10,0 kN

maximum trailer weight: **2000 kg**

maximum vertical cup load: **75 kg**

Torque settings for nuts and bolts (8,8):

M6 - 11 Nm

M8 - 25 Nm

M10 - 50 Nm

M12 - 87 Nm

M14 - 138 Nm

M16 - 210 Nm

Foreword

This towing hitch is designed according to rules of safety traffic regulations. The towing hitch is a safety component and can be install only by qualified personnel. Any alteration or conversion of the towing hitch is prohibited and would lead to cancellation of design certification. Remove insulating compound and underseal from vehicle (if present) in the areas of the matting surfaces of the towing hitch.

The vehicle manufacturer's specifications regarding trailer load and max. vertical cup mass are decisive for driving whereat values for the towing hitch cannot be exceeded.

D-value formula:

$$\frac{\text{Max trailer weight [kg]} \times \text{Max vehicle weight [kg]}}{\text{Max trailer weight [kg]} + \text{Max vehicle weight [kg]}} \times \frac{9,81}{1000} = D \text{ [kN]}$$